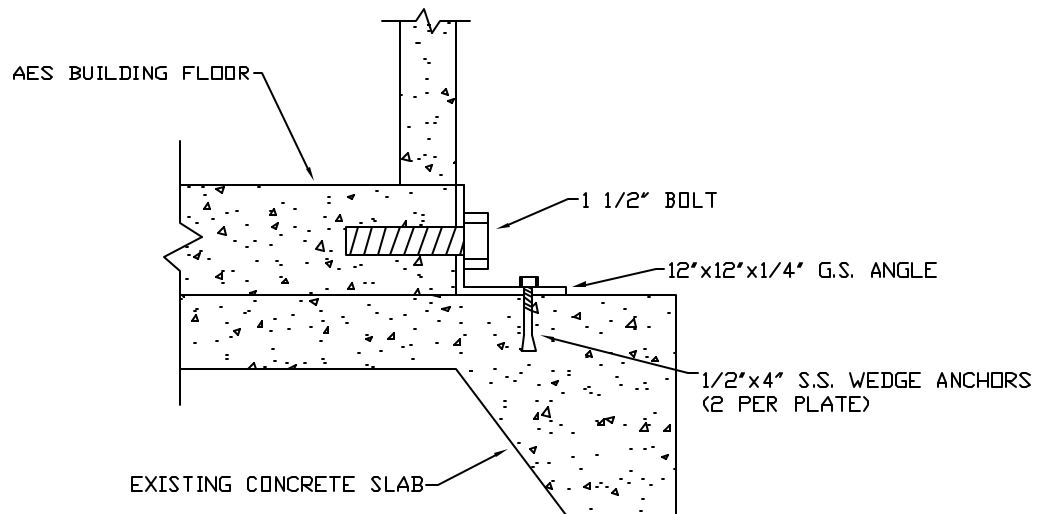


SIDE VIEW



CROSS SECTION

AES PRECAST CO., INC.	
LOCATION:	CITY OF TAMARAC
DRAWN BY: MBW	SCALE:
DATE: 08-21-02	DWG NO: 11 of 11